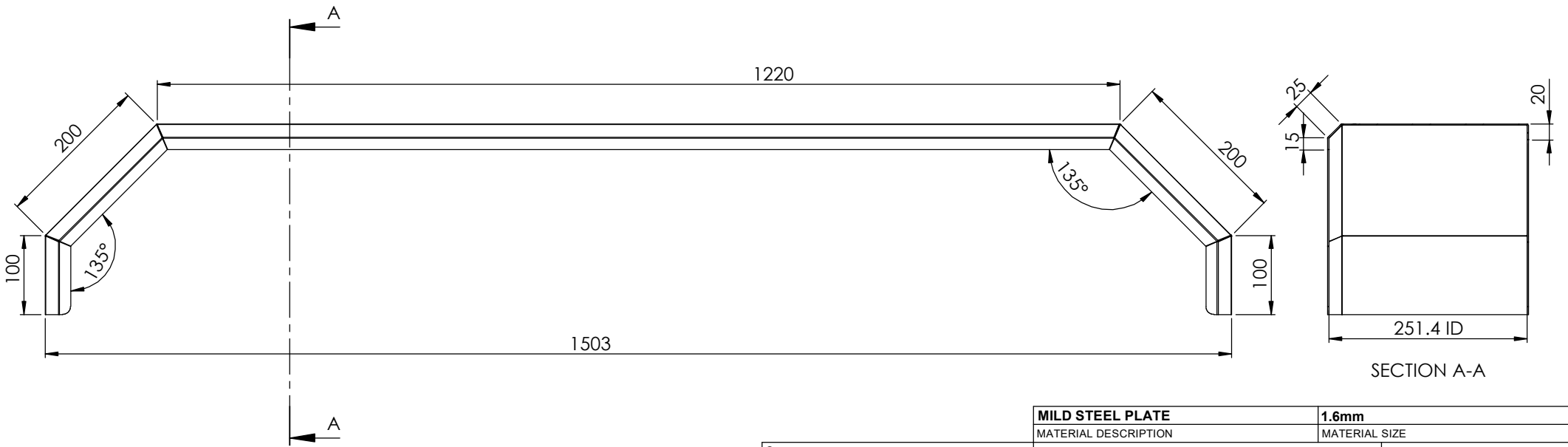
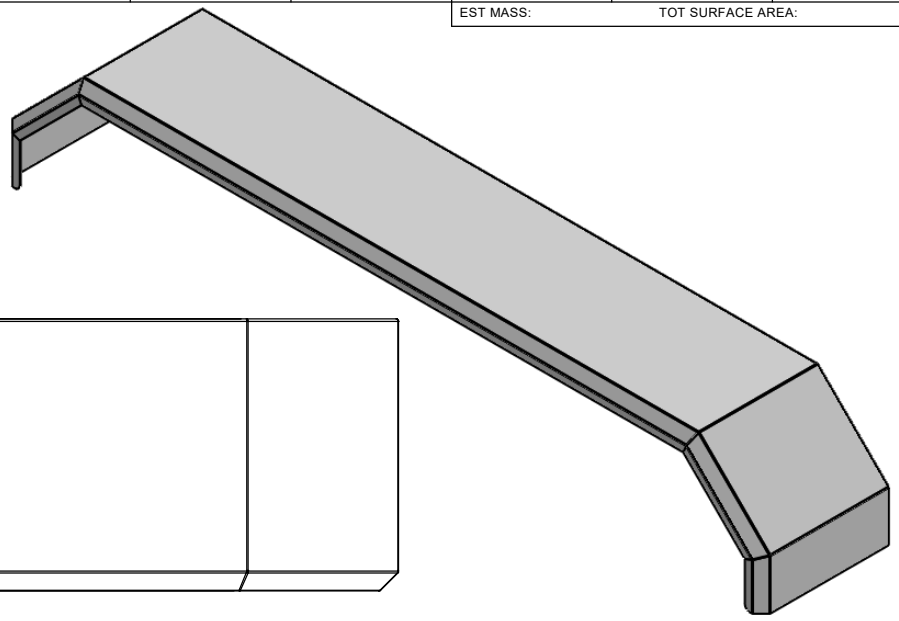
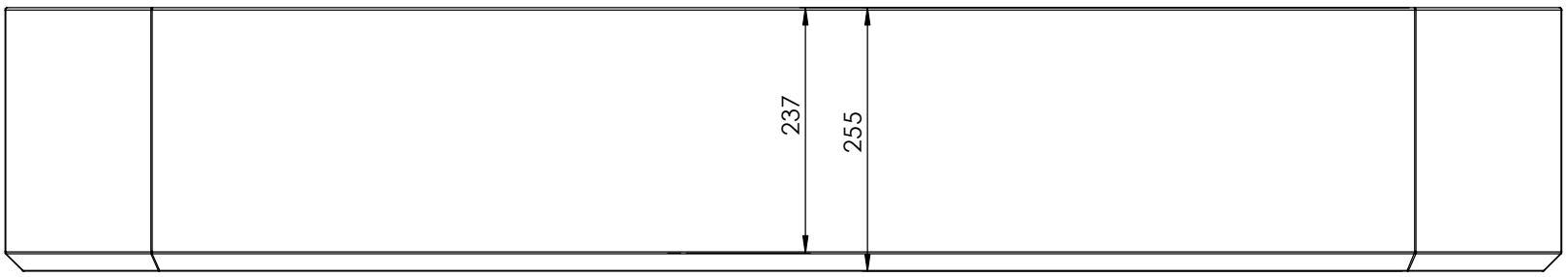


EST MASS: TOT SURFACE AREA:



SECTION A-A

MILD STEEL PLATE	1.6mm
MATERIAL DESCRIPTION	MATERIAL SIZE

TITLE: MUDGUARD 14" UNGALVANISED TANDEM			
PRODUCT: MUDGUARD 14" UNGALVANISED TANDEM			
SCALE: 1:5 DATE: 2012-08-08	SHEET: A3 DRAWN BY: HILTON MILLWARD	DRAWING NO. MS7-14-2U	REV p3

© BURQUIP INTERNATIONAL (Pty) Ltd

ASSUME A TOLERANCE OF ±1mm FOR DIMENSIONS WITHOUT TOLERANCES ALL DIMENSIONS IN mm UNLESS OTHERWISE SHOWN

REV	DESCRIPTION OF CHANGE	ZONE	AUTH NO.	BY	DATE
p3	REMOVED SHARP CORNERS			H.M.	2019-11-20
P2	CHANGED RIP FOR BURQUIP IN HOUSE PRODUCTION			H.M.	2019-11-08
P2	RELEASED			H.M.	2012-08-08