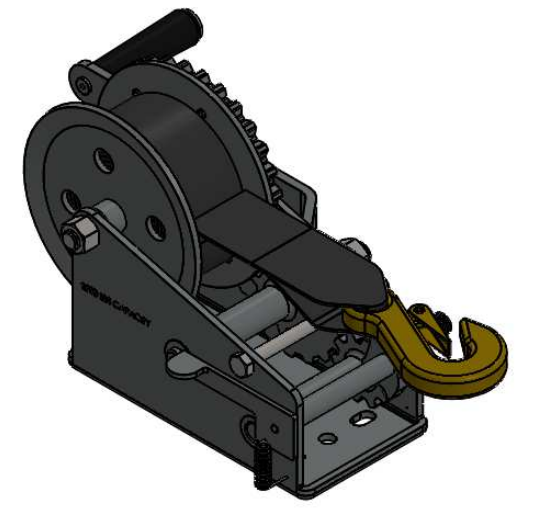
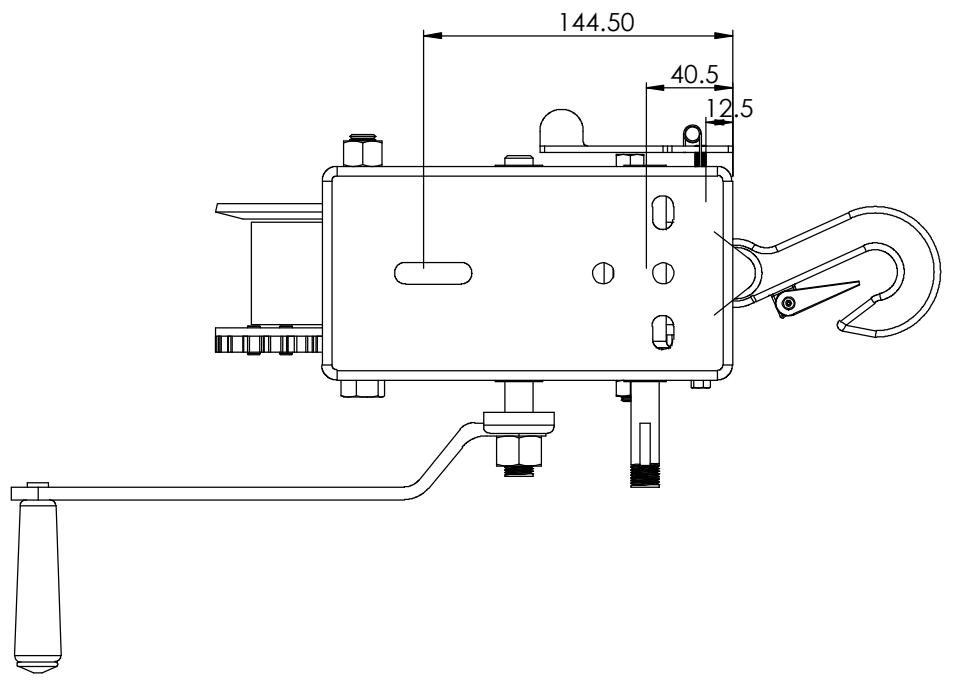
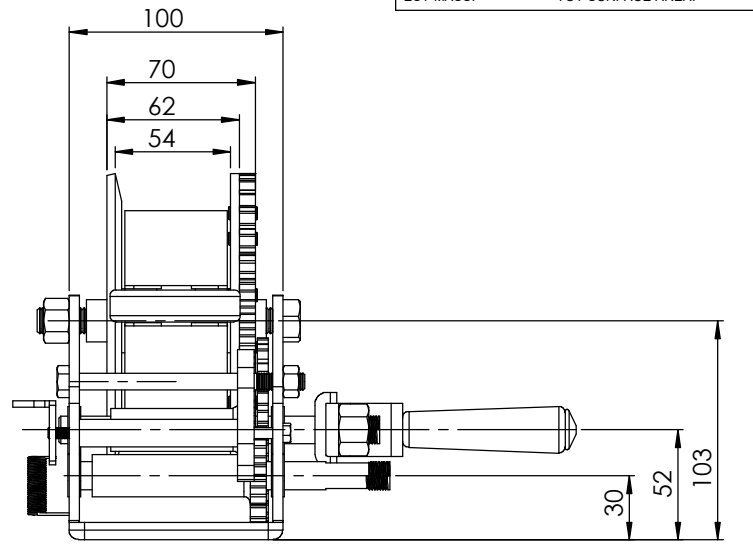
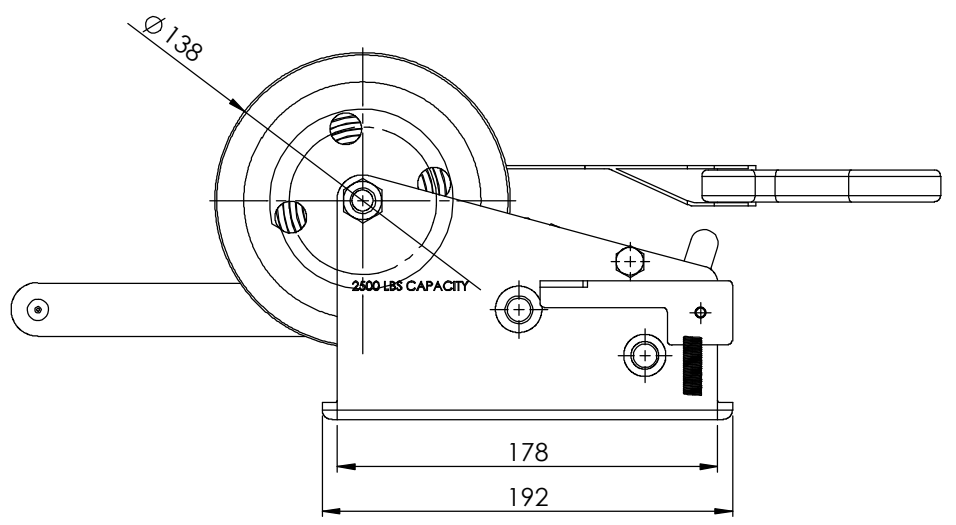


EST MASS: TOT SURFACE AREA:



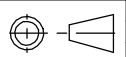
© COPYRIGHT BURQUIP INTERNATIONAL (Pty) Ltd

TITLE:

ASSUME A TOLERANCE OF  $\pm 1$ mm FOR DIMENSIONS WITHOUT TOLERANCES ALL DIMENSIONS IN mm UNLESS OTHERWISE SHOWN

PRODUCT: **HAND WINCH 1135KG**

**BURQUIP**



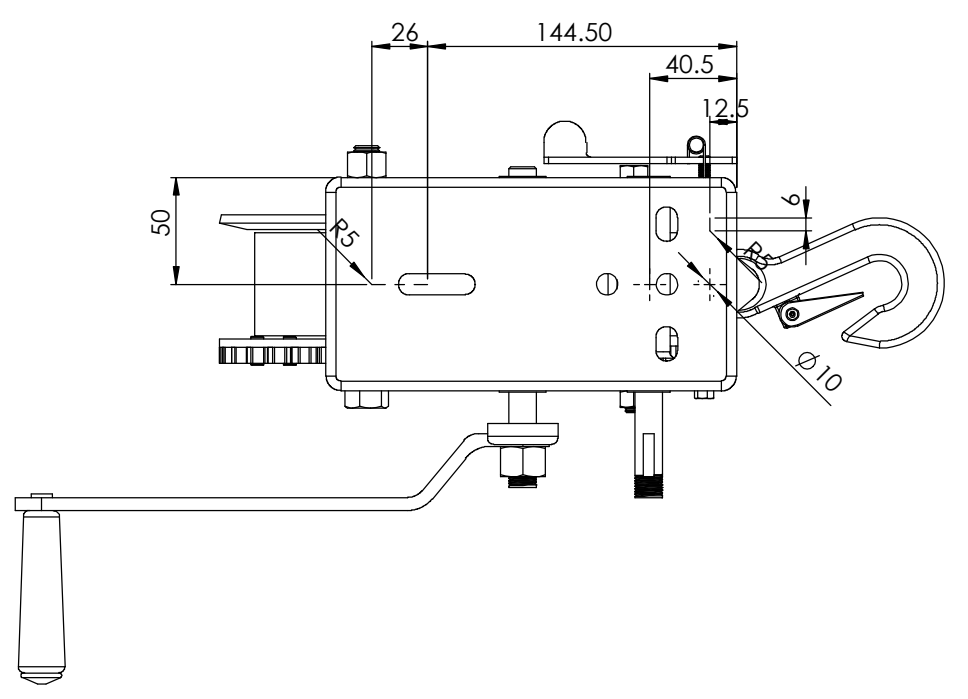
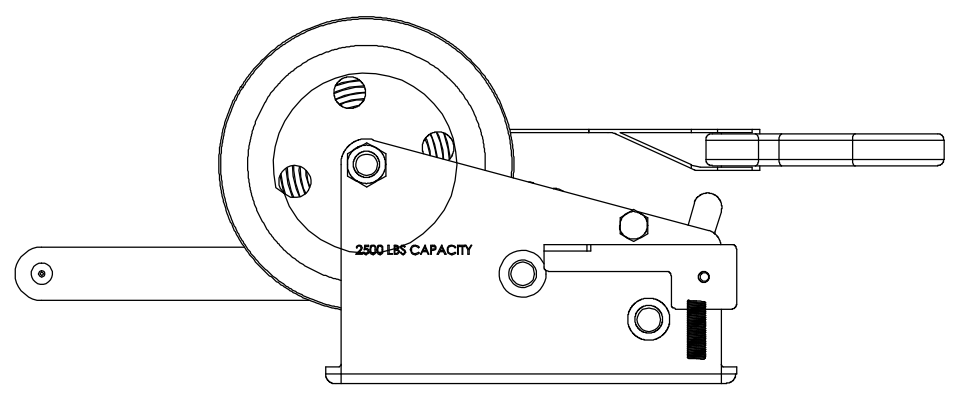
SCALE: 1:1 SHEET: A3  
DRAWN BY: ARNOLD KABUYA  
DATE: 2019-01-31

DRAWING NO. **HW2500**

REV **P1**

REV	DESCRIPTION OF CHANGE	ZONE	AUTH NO.	BY	DATE
P1	RELEASED				

EST MASS: TOT SURFACE AREA:



© COPYRIGHT BURQUIP INTERNATIONAL (Pty) Ltd

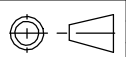
TITLE:

ASSUME A TOLERANCE OF ±1mm FOR DIMENSIONS WITHOUT TOLERANCES ALL DIMENSIONS IN mm UNLESS OTHERWISE SHOWN

PRODUCT: **HAND WINCH 1135KG**

**BURQUIP**

REV	DESCRIPTION OF CHANGE	ZONE	AUTH NO.	BY	DATE
P1	RELEASED				



SCALE: 1:5 SHEET: A3  
DRAWN BY: ARNOLD KABUYA  
DATE: 2019-01-31

DRAWING NO. **HW2500**

REV **P1**